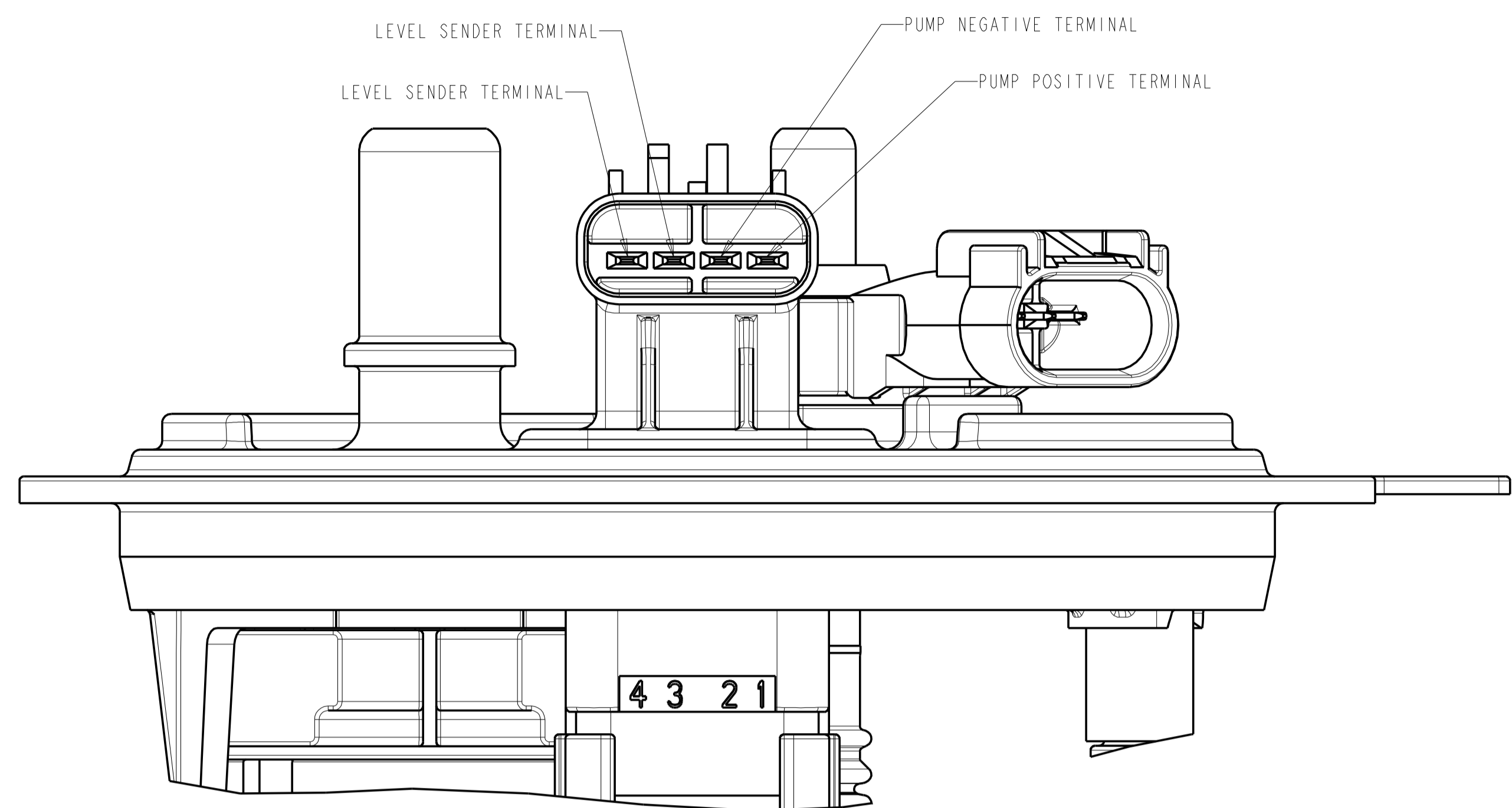
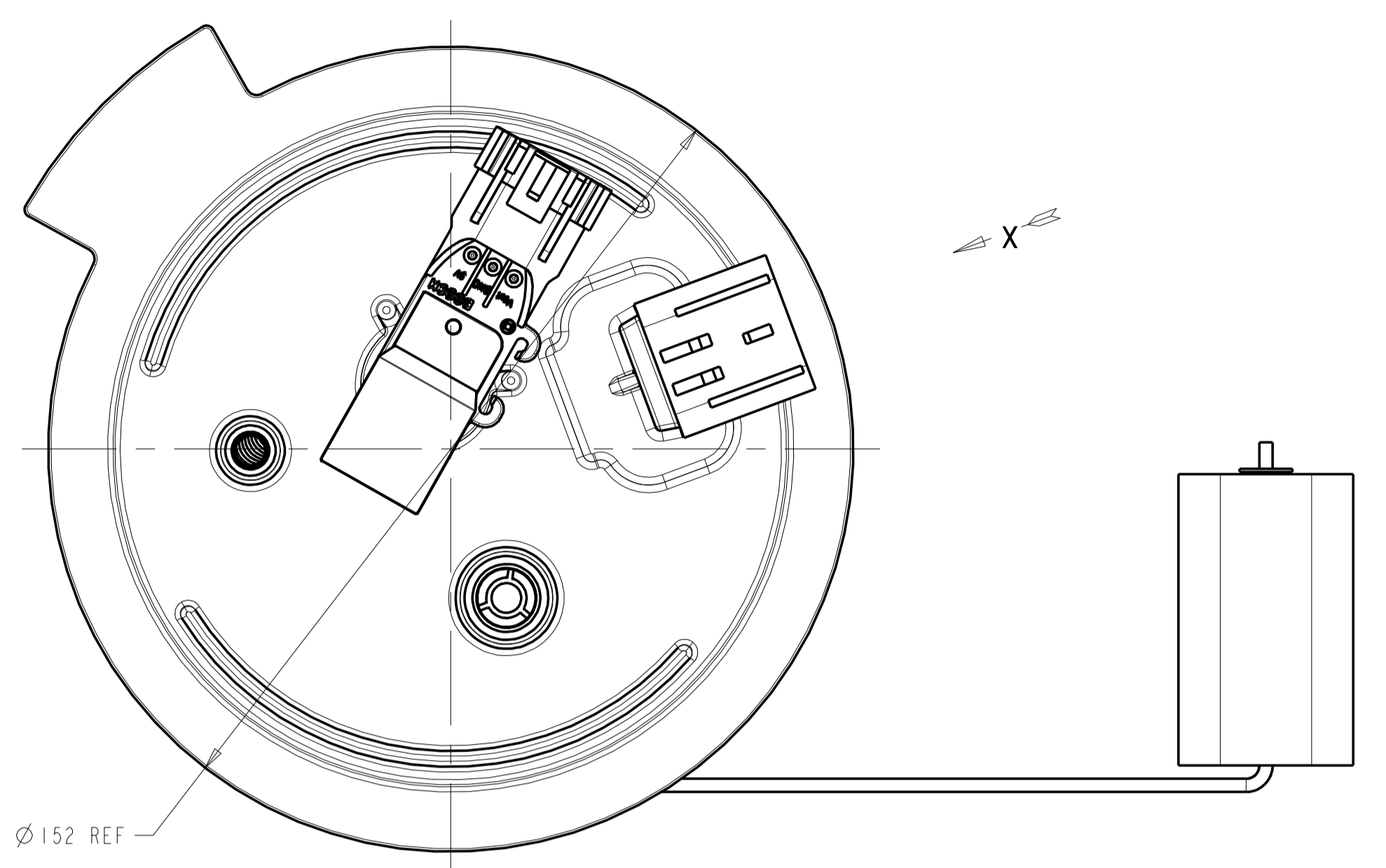
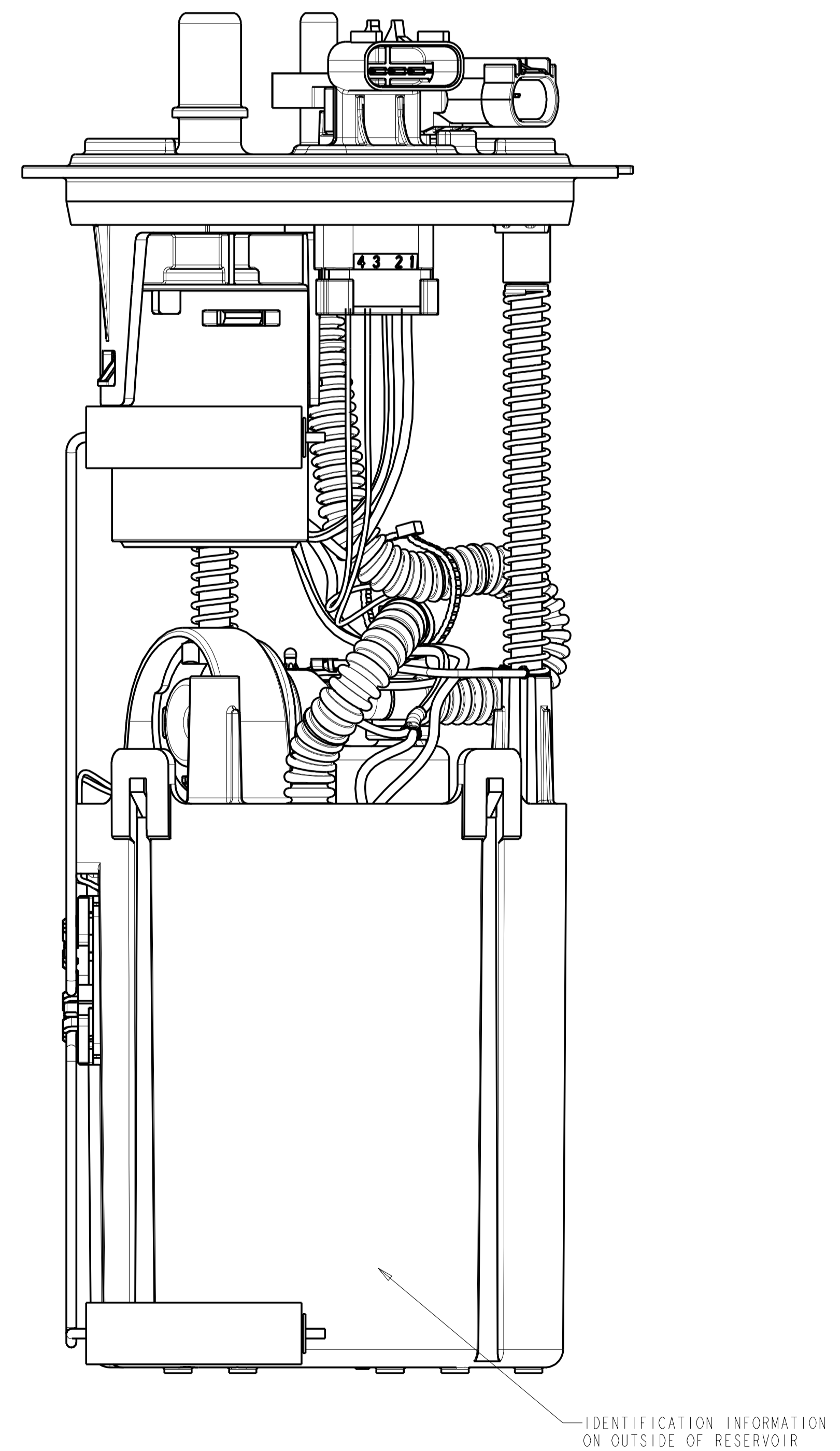
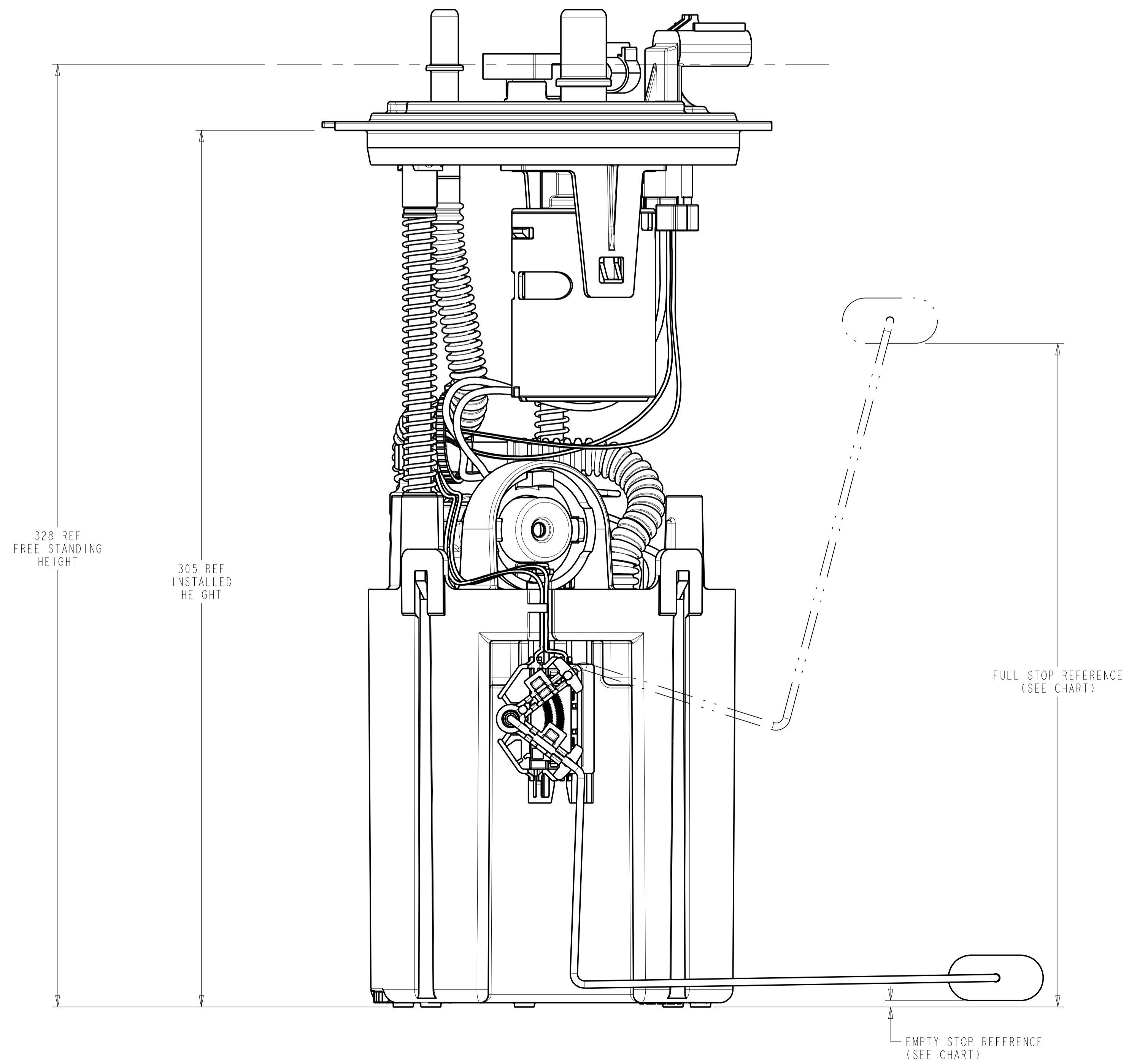


REVISIONS						
ZONE	LTR	DESCRIPTION	CHANGE No	DATE	BY	APPR'D
AA		INITIAL RELEASE	DR501111	21AUG15	RMB	BLM
AB		REMOVE EXTRA GRND WIRE FRM VIEWS	DR558333	11JAN16	RMB	BLM



VIEW IN DIRECTION OF ARROW "X"  
E-CONNECTOR PINOUT  
SCALE 2:1



LEVEL SENDER UNIT HEIGHT VS RESISTANCE		
FLOAT POSITION	HEIGHT (mm)	RESISTANCE (Ohms)
FULL STOP	231.0 REF	10 ± 2
EMPTY STOP	2.0 REF	180 ± 4

- NOTES:
- CHANGE IN DESIGN, COMPOSITION, LOCATION OR PROCESSING FROM THE PART PREVIOUSLY APPROVED FOR PRODUCTION REQUIRES PRIOR APPROVAL BY TI AUTOMOTIVE.
  - SPECIAL CUSTOMER PACKAGING REQUIREMENTS MAY CALL FOR THE ADDITION OF SPECIFIC LABELS NOT SHOWN ON THIS DRAWING.
  - SHOWN WIRE ROUTING MAY DIFFER FROM FINISHED PRODUCT.
  - MODULE TO BE PACKAGED USING COMPONENTS NOTED ON BOM SO THAT CONTAMINATION FROM FOREIGN MATERIAL IS PREVENTED:
    - PLUG PROTECTORS ON PORTS
    - POLYBAG

METRIC  
ALL DIMENSIONS ARE IN MILLIMETERS

DO NOT SCALE

DECIMAL TOLERANCES UNLESS OTHERWISE SPECIFIED  
ONE PLACE ±0.25 TWO PLACE ±0.13 ANGLES ±1°

THIRD ANGLE PROJECTION

DIMENSIONS IN ACCORDANCE WITH ASME Y14.5 - 2009

**TI Automotive**  
630 COLUMBIA ST  
CARO, MI 48123  
+1 989.673.7127

ENGINEER: B.WIDDLETON 19JAN15 MATERIAL SPECIFICATION: N/A  
DESIGNER: R.BRUBAKER 19JAN15  
CAD SYSTEM: PROVE SCALE: 1:1 SHEET NO. 1 OF 1  
REFERENCE TYPICAL: P/W REFERENCE: 2D: AR0039029/AB  
P/W REFERENCE: 3D: AR0039027/AB  
DRAWING NAME: FUEL MOD(AFTMKT E150-450 11-14 MIDSHIP TNK)  
TITLE: AD DRAWING NUMBER: TU2007

▽ DENOTES SAFETY CHARACTERISTIC  
◇ DENOTES SIGNIFICANT CHARACTERISTIC  
◊ DENOTES HIGH IMPACT CHARACTERISTIC

TI AUTOMOTIVE CONFIDENTIAL AND PROPRIETARY  
THIS DRAWING IS PROPERTY OF TI AUTOMOTIVE. ALL RIGHTS ARE RESERVED.  
FOR THIS DRAWING AND ANY OTHER TI AUTOMOTIVE DRAWING, THE DRAWING IS PROVIDED FOR THE EXCLUSIVE USE OF THE CUSTOMER AND IS NOT TO BE REPRODUCED, COPIED, OR TRANSMITTED IN ANY FORM OR BY ANY MEANS, ELECTRONIC OR MECHANICAL, INCLUDING PHOTOCOPYING, RECORDING, OR BY ANY INFORMATION STORAGE AND RETRIEVAL SYSTEM. ANY UNAUTHORIZED REPRODUCTION OR USE OF THIS DRAWING WITHOUT THE WRITTEN PERMISSION OF TI AUTOMOTIVE IS STRICTLY PROHIBITED. TI AUTOMOTIVE ASSUMES NO LIABILITY FOR THE PRODUCTION OF THIS DRAWING OR FOR THE CONSEQUENCES OF ANY ERRORS OR OMISSIONS. THIS DRAWING IS PROVIDED AS IS AND TI AUTOMOTIVE MAKES NO WARRANTY OF MERCHANTABILITY OR FITNESS FOR A PARTICULAR PURPOSE.

L  
K  
J  
I  
H  
G  
F  
E  
D  
C  
B  
A

16 15 14 13 12 11 10 9 8 7 6 5 4 3 2 1